

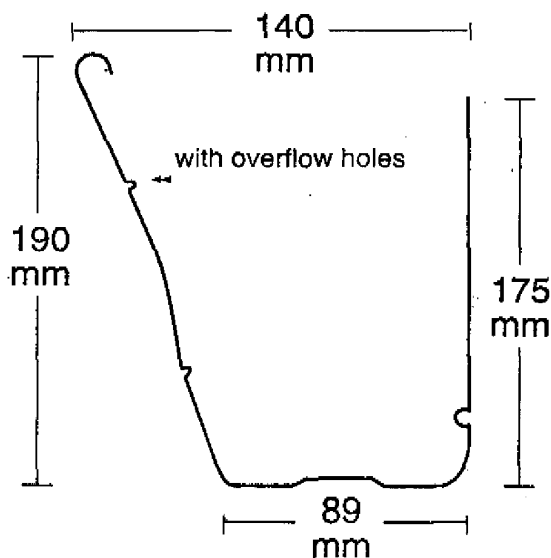


# ALCOIL CONTINUOUS GUTTERING P/L

Phone (03) 9887 5822 Fax (03) 9877 5833

## NU-LINE GUTTER

### STEEL PREPAINTED AND ZINC (STICK LENGTH)



**Material:** 0.42mm Steel

**Colours:** White, Brown, Smooth Cream, Heritage Red, Irongrey, Slate Grey, Zinc

**Lengths:** 4-12 meters maximum in 2 meter rises (Brown & zinc, available in 1m rises)

**Corners:** 2 piece cast 90 & 45 degree internal and external (joiners avail)

**Caution:** Falls cannot be guaranteed due to locating gutter onto existing eave sheets.

**Brackets:** Extruded external and internal @ .900 mm spacings

**\*Warranty:** 20 year product perforation

**Features:** For specifically designed houses with fascia gutter requirement

\* Subject to installation compliant with manufacturers recommendations