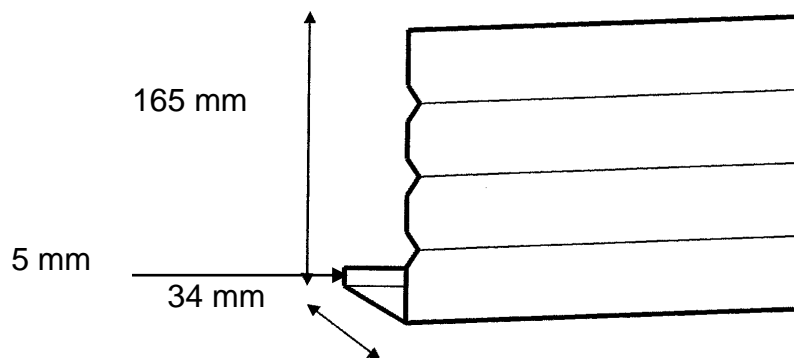




ALCOIL CONTINUOUS GUTTERING P/L
Phone (03) 9887 5822 Fax (03) 9887 5833

FASCIA COVER

ALUMINIUM PREPAINTED



Lengths: 3.5m

Colours: Brownstone, Brunswick Green, Dover White, Merino, Smooth Cream, Vincent Brown

Features: Wraps around timber fascia board

CUSTOM FASCIA COVER

PREPAINTED ALUMINIUM

Manufactured to your size specifications*, Alcoil can supply all your non standard fascia and barge cover requirements.

*Max girth 280mm aluminium