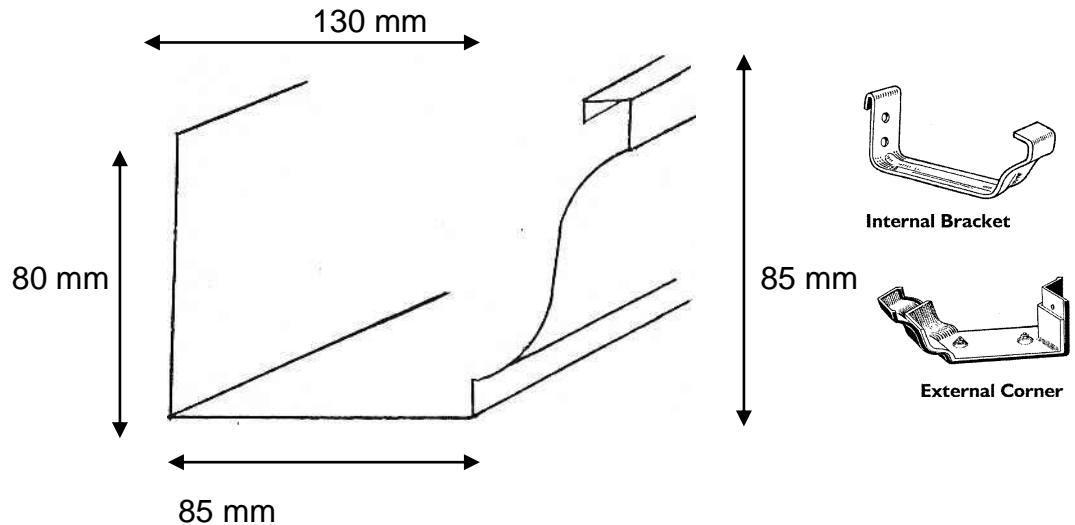




## OGEE GUTTER STEEL PREPAINTED (continuous)



**Material:** 0.55mm Steel

**Colours:** Basalt, Cove, Dune, Cottage Green, Gully, Mangrove, Manor Red, Ironstone, Jasper, Monolith, Paperbark, Pale Eucalypt, Deep Ocean, Surfmist, Terrain, Wallaby, Woodland Grey, Classic Cream, Night Sky

**Use On:** Tiled, corrugated or slate roofs (anywhere Quad was previously used.)

**Brackets:** Internal only @ .900mm spacings

**Corners:** 2 piece die cast (90 degree internal and external)

**\*Warranty:** 20 year product perforation

**Features:** Rolled on site continuous length, thicker material to minimise effect of rust, popular for traditional customers who want the strength of steel. Leafguard available (tiled roof only)

\* Subject to installation compliant with manufacturers recommendations

