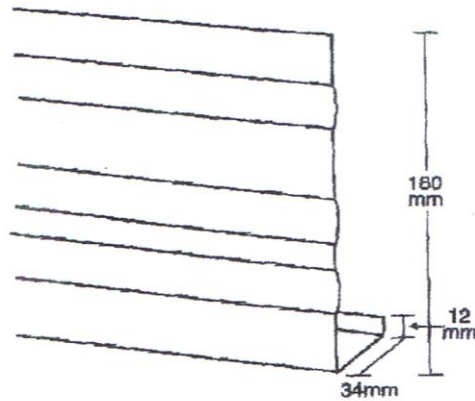




ALCOIL CONTINUOUS GUTTERING P/L

Phone (03) 9887 5822 Fax (03) 9887 5833

FASCIA COVER - STANDARD **STEEL**



Lengths: 6.0m

Colours: 26 colours and Zinc

Features: Wraps around timber fascia board.

CUSTOM STANDARD FASCIA COVER

PREPAINTED STEEL

Manufactured to your size specifications*, Alcoil can supply all your non standard fascia and barge cover requirements.

*MAX TOTAL GIRTH 405MM